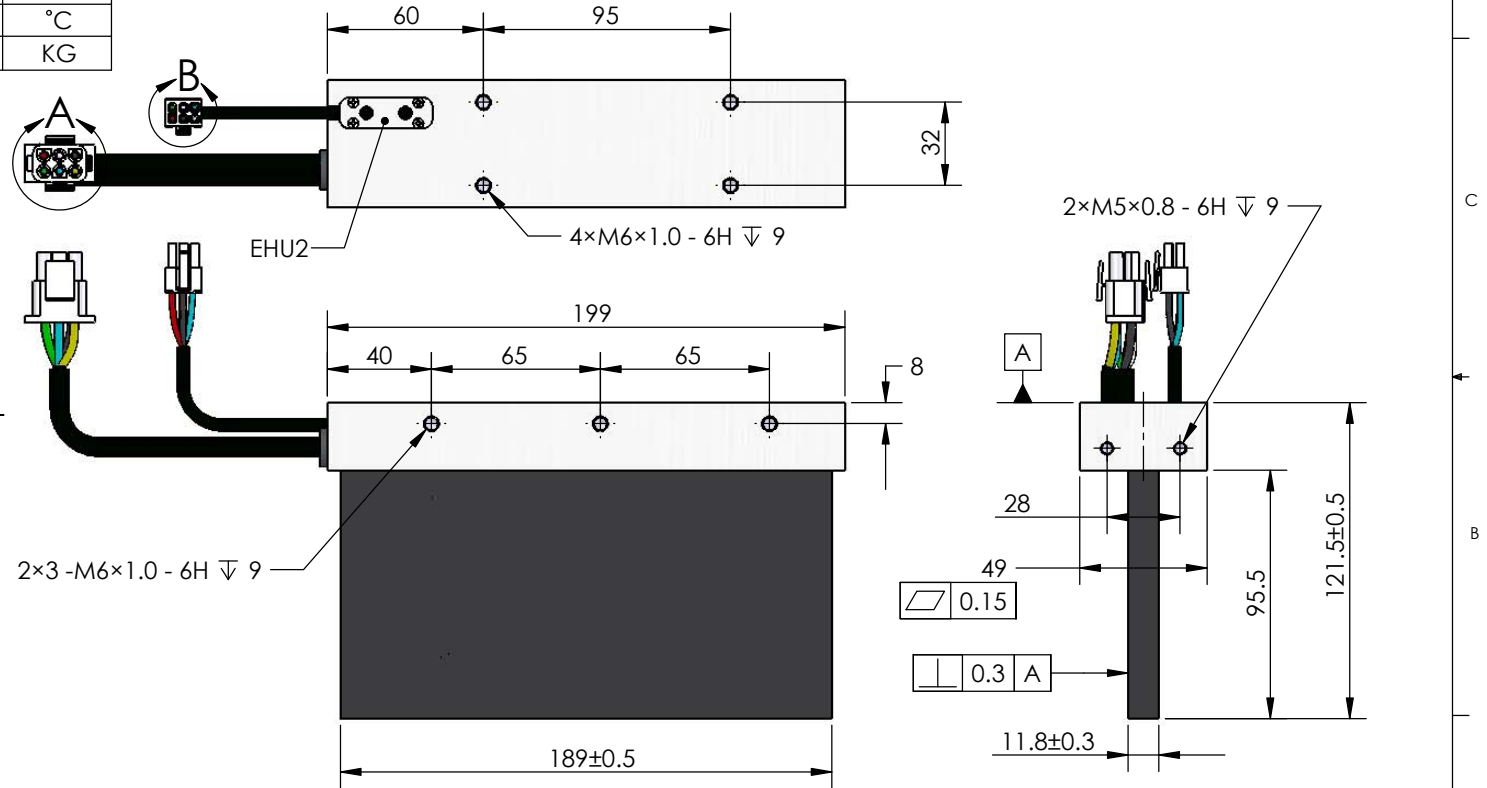
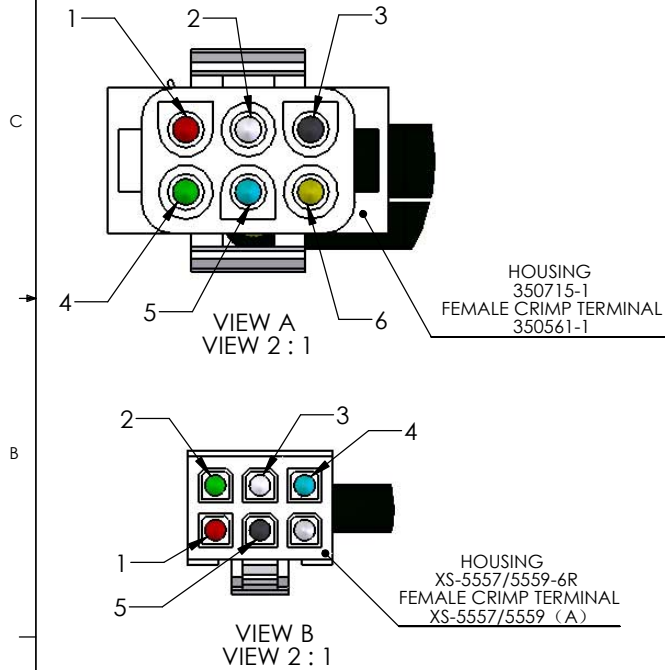


WINDING CONSTANT	TOL	SYM	VALUE	UNITS
BACK EMF CONSTANT	± 10%	Kb	26	V/m/sec
RESISTANCE (P-P) @25°C	± 10%	R	7.2	Ω
INDUCTANCE (P-P) @25°C	± 10%	L	17.8	mH
PEAK CURRENT		Ip	17.6	Arms
PEAK FORCE		Fp	1300	N
FORCE CONSTANT		Kt	78	N / ARMS
KM MOTOR CONSTANT		Ka	26	N/ √w
CONTINUOUS CURRENT		Ic	4.4	Arms
CONTINUOUS FORCE		Fc	325	N
MAX WINDING TEMP		Tmax	120	°C
WEIGHT OF COIL ASSEMBLY		WT	2.2	KG

REV	ECO NO.	DESCRIPTION	DRN	APP'D	Q.A	DATE
X1	---	INITIAL RELEASE	BWZ	WYG	LBQ	08-12-29



VIEW A			VIEW B		
1	U	RED	1	VCC +5V	RED
2	V	WHITE	2	U	GREEN
3	W	BLACK	3	V	WHITE
4	GND	GREEN	4	W	BLUE
5	THERMAL PROTECTOR SWITCH +	RED AND BLUE	5	GND 0V	BLACK
6	THERMAL PROTECTOR SWITCH -	YELLOW AND GREEN			

LEAD WIRE LENJTH : 600mm

LEAD WIRE LENJTH : 600mm

UNLESS OTHERWISE SPECIFIED:

DIMENSIONS ARE IN MM
TOLERANCES: ±0.2

INTERPRET GEOMETRIC TOLERANCING PER:
ANSI Y14.5M-1982.

DO NOT SCALE DRAWING

NAME	DATE
DRAWN: BWZ	08-12-29
CHECKED:	
ENG APPR.: WYG	08-12-29
MFG APPR.:	
Q.A.: LBQ	08-12-29

COMMENTS:

cusas motion Suzhou, China

TITLE: **COLL PLATE ASSEMBLY**

SIZE: **B** DWG. NO.: MLCX-0325-200-00 REV: X1

SCALE: 1:2 SHEET 1 OF 1

PROPRIETARY AND CONFIDENTIAL
THE INFORMATION CONTAINED IN THIS DRAWING IS THE SOLE PROPERTY OF USAS MOTION - SUZHOU, CHINA. ANY REPRODUCTION IN PART OR AS A WHOLE WITHOUT THE WRITTEN PERMISSION OF USAS MOTION - SUZHOU, CHINA IS PROHIBITED.